



REV	DATE	DESCRIPTION...
1	09-19	INITIAL DRAWING - ARH



FOR SALES PURPOSES ONLY.
DIMENSIONS SUBJECT TO CHANGE

Customer Information

Loading side LHS RHS

Note: Loading side viewed from the back of Machine

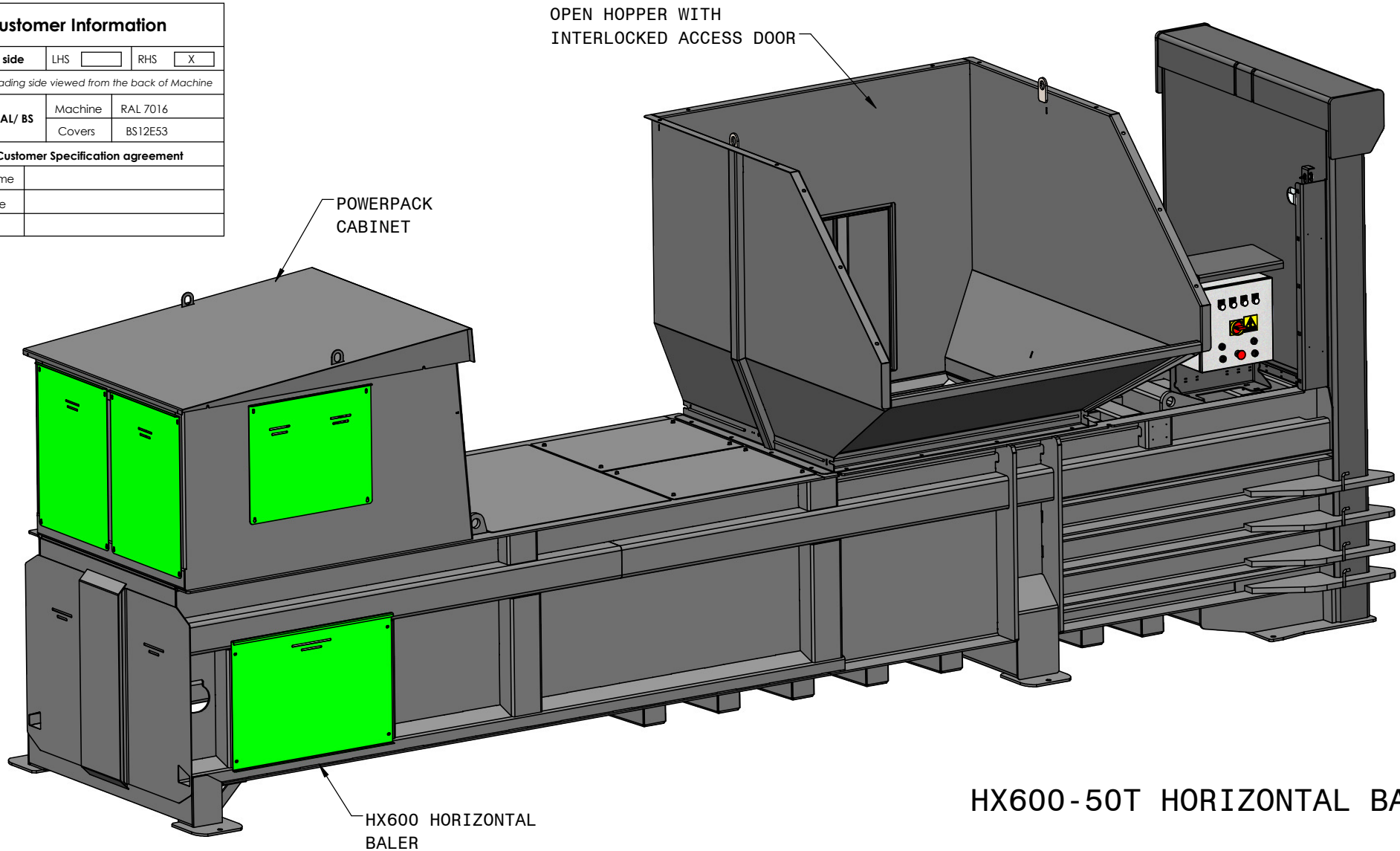
Colour: RAL/ BS	Machine	RAL 7016
	Covers	BS12E53

Customer Specification agreement

Print Name _____

Signature _____

Date _____



HX600-50T HORIZONTAL BALER



REV	DATE	DESCRIPTION...
1	09-19	INITIAL DRAWING - ARH



FOR SALES PURPOSES ONLY.
DIMENSIONS SUBJECT TO CHANGE

Customer Information		
Loading side	LHS <input type="checkbox"/>	RHS <input checked="" type="checkbox"/>
<i>Note: Loading side viewed from the back of Machine</i>		
Colour: RAL/ BS	Machine	RAL 7016
	Covers	BS12E53
Customer Specification agreement		
Print Name		
Signature		
Date		

