

HABA

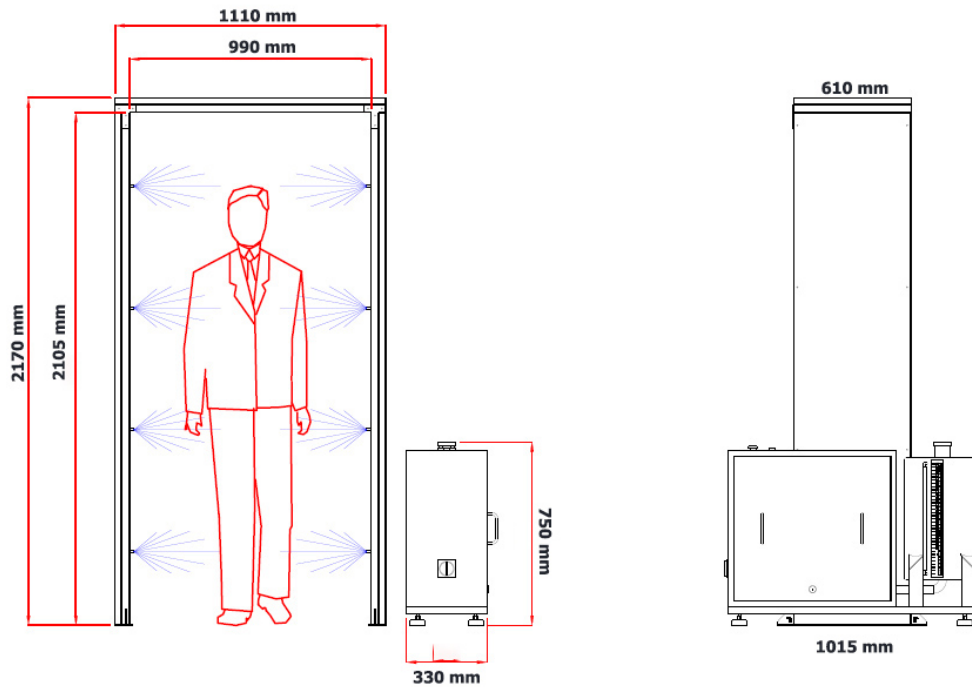


HABA SAFE Disinfection Systems

The world is struggling with viruses which hold on different surfaces. HABA SAFE is designed to disinfect all types of bacteria. The devices can be used in production/construction sites, hospitals and public buildings.



Disinfection cabinet for peoples

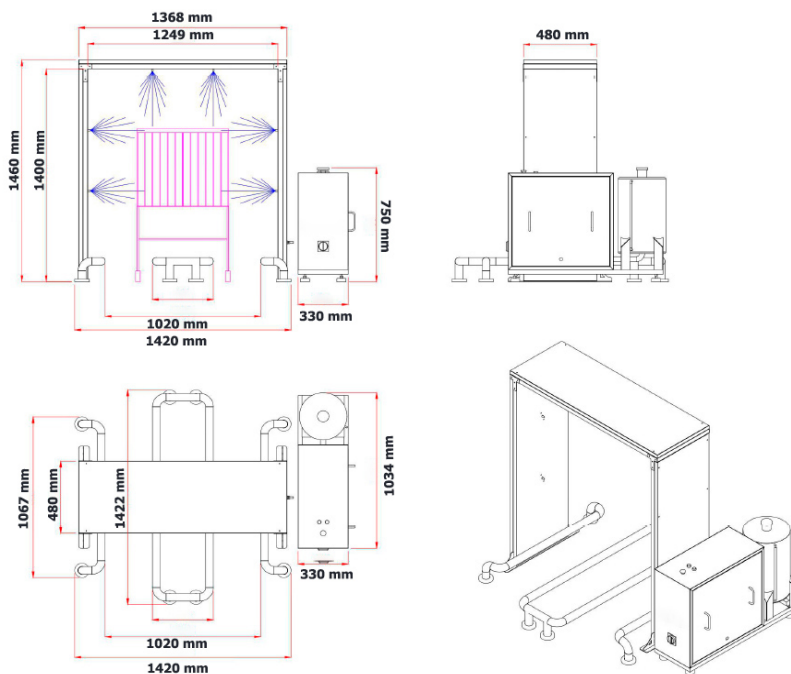


excellent pulverization



LED lighting system

Disinfection cabinet for trolleys and stretchers



HABA BTC 50E
vesipohjainen
puhdistusneste

- Ultrasonic movement sensor, disinfection process takes place without any contact
- Modular design, easy installation
- AISI 304 grade stainless steel
- Excellent pulverization, clothes and shoes get completely in contact with the liquid
- IP 65 waterproof control unit
- 38 litre disinfection tank
- Led lighting system
- EN ISO 12100: 2010, EN 60204-1: 2018, EN ISO 13850: 2015, EN ISO 14120: 2015
- 2006/42EC machinery safety directive
- Inhaling the disinfection liquid and direct exposure to the eye may harm your health

Habagroup Oy
www.habagroup.fi

Rautatiekatu 21 B
33100 Tampere
Finland
tel. +358 7479040
email. info@habagroup.fi

Kuutamokatu 8 A
02210 Espoo
Finland
tel. +358 7479040
email. info@habagroup.fi